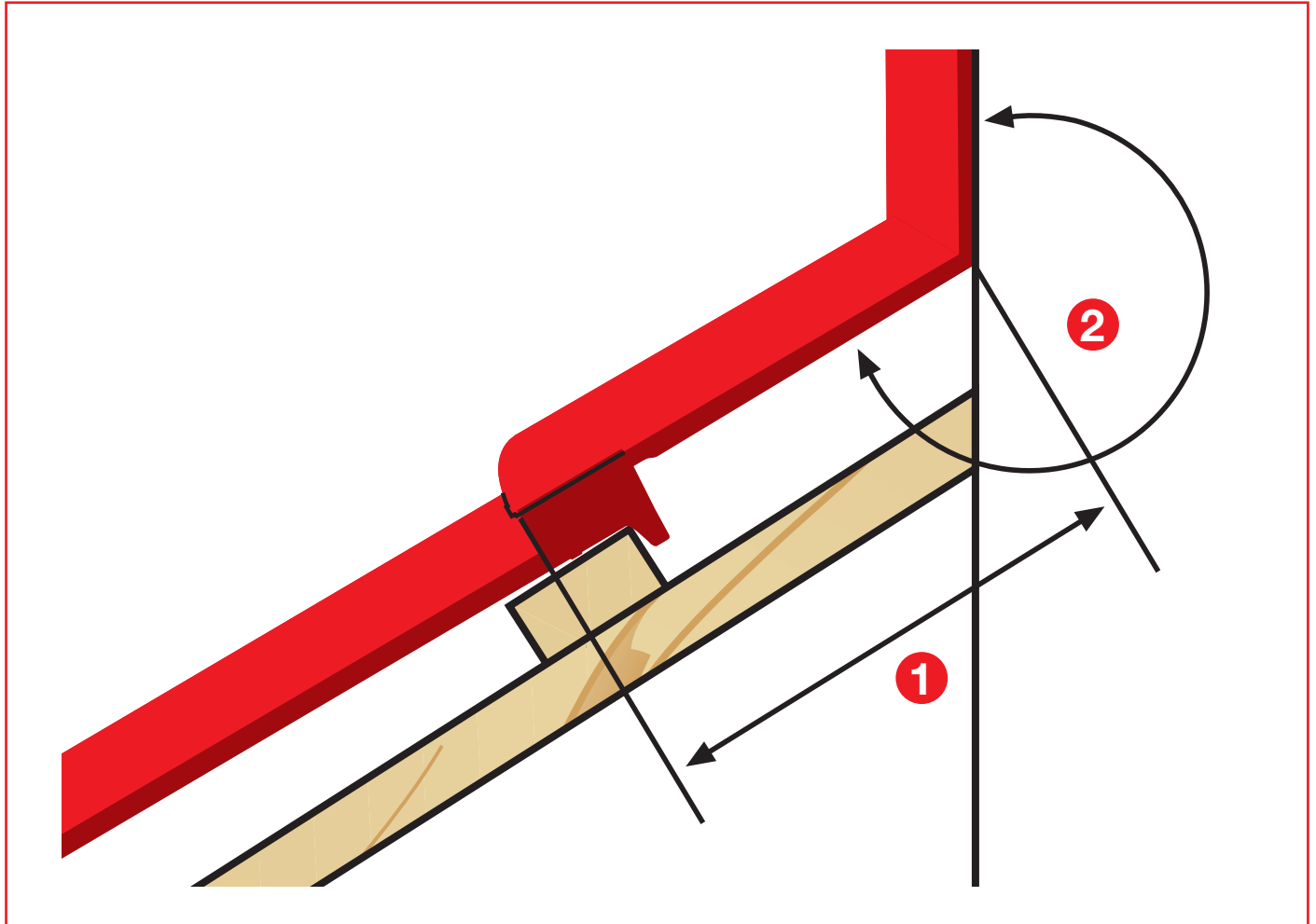


Clay roof tile order: Wall connection tile NIBRA® flat roof tile F 10 Ü

Delivery address for advance sample: _____

Building project: _____



You will receive a sample roofing tile for comparison. Following approval with or without corrections we will inform you of the delivery date.

1 =	_____	mm
2 =	_____	° \sphericalangle

Advance sample approved: _____

Corrections: _____